

PRODUCT TECHNICAL SHEET

Collection : **VIDAGE**

Ref. : **8045.--.15**

Crépine 63 mm, 5/4"

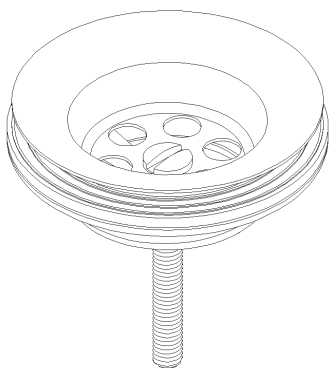
Lavaboplug 63 mm, 5/4"

Stainer set 63 mm, 5/4"

Picture

Product details

Weight : 0,2 kg



Technical drawing

